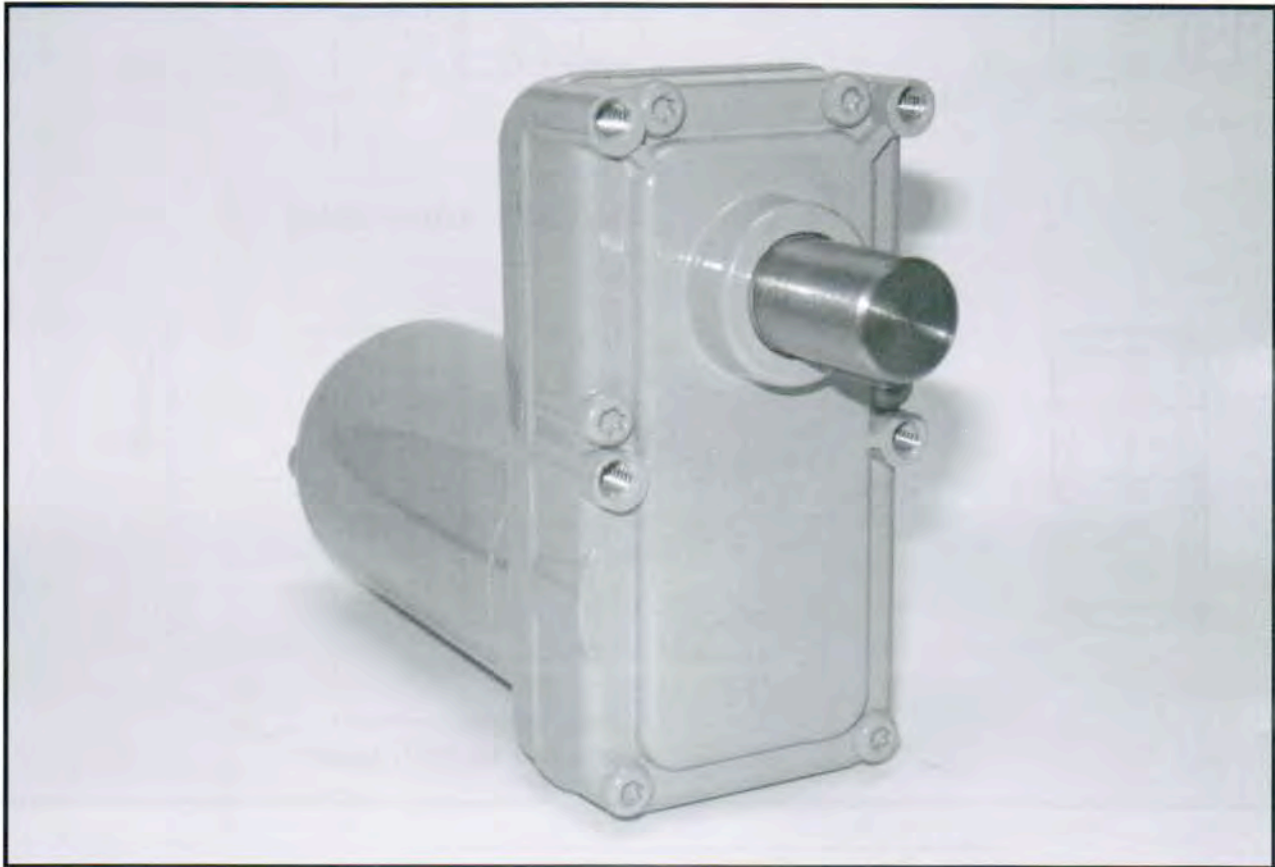




## Model K525 Gearmotor 2.5 PMDC MOTOR



### Specifications:

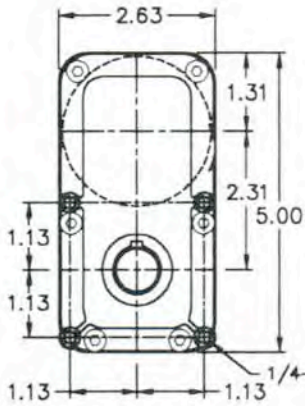
- Permanent Magnet Motor
- 12 VDC & 90 VDC
- Continuous & Intermittent Duty
- Reversible
- Eight Standard Ratios
- Zinc Diecast Housing
- Iron & Steel Precision Gears
- Oil Impregnated Bronze Bearings On Gear Shafts
- O-Ring Seal On Output Shaft
- Permanently Lubricated
- All Position Mount

Note: Painted finish is not standard.

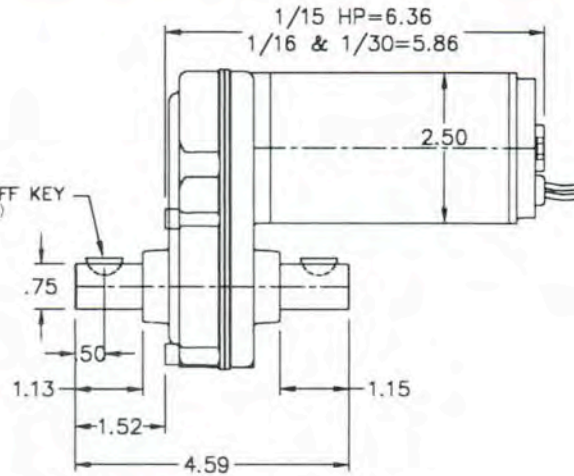
### Options:

- Brake Mounted on Motor
- Needle Bearings
- 1/2" Output Shaft
- Single Extended Output Shaft
- For other options call factory

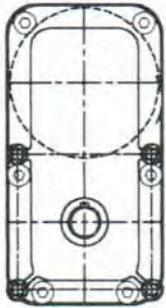
# Model K525 2.5 TENV PMDC Motor



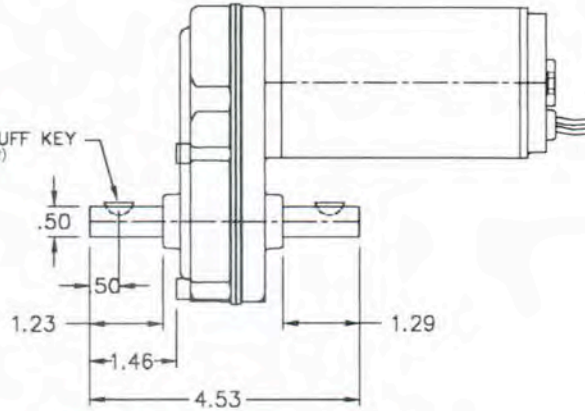
#605 WOODRUFF KEY  
(3/16x5/8)



STANDARD OUTPUT SHAFT



#404 WOODRUFF KEY  
(1/8x1/2)



OPTIONAL OUTPUT SHAFT

## Torque Chart (inch lbs)

2.5" DIA PERMANENT MAGNET MOTOR						
RATIO	1/30 HP CON		1/16 HP INT		1/15 HP CON	
	FULL LOAD		FULL LOAD		FULL LOAD	
	RPM	TORQUE	RPM	TORQUE	RPM	TORQUE
35:1	93	15	84	35	101	35
46:1	71	20	64	40	77	40
73:1	44	35	40	70	48	70
135:1	24	55	21	115	26	115
192:1	17	80	15	150	18	150
230:1	14	95	12	150	15	150
293:1	11	110	10	150	12	150
428:1	7	150	7	150	8	150

(Output Torque is Calculated Average and Gear limited)  
Overhung load capacity (.75" from output boss) not to exceed 200 lbs.



**KLAUBER MACHINE & GEAR COMPANY**

1101 GEARTECH PARKWAY  
PACIFIC, MO. 63069

PH: (636) 257-3002 FAX: (636) 257-3005