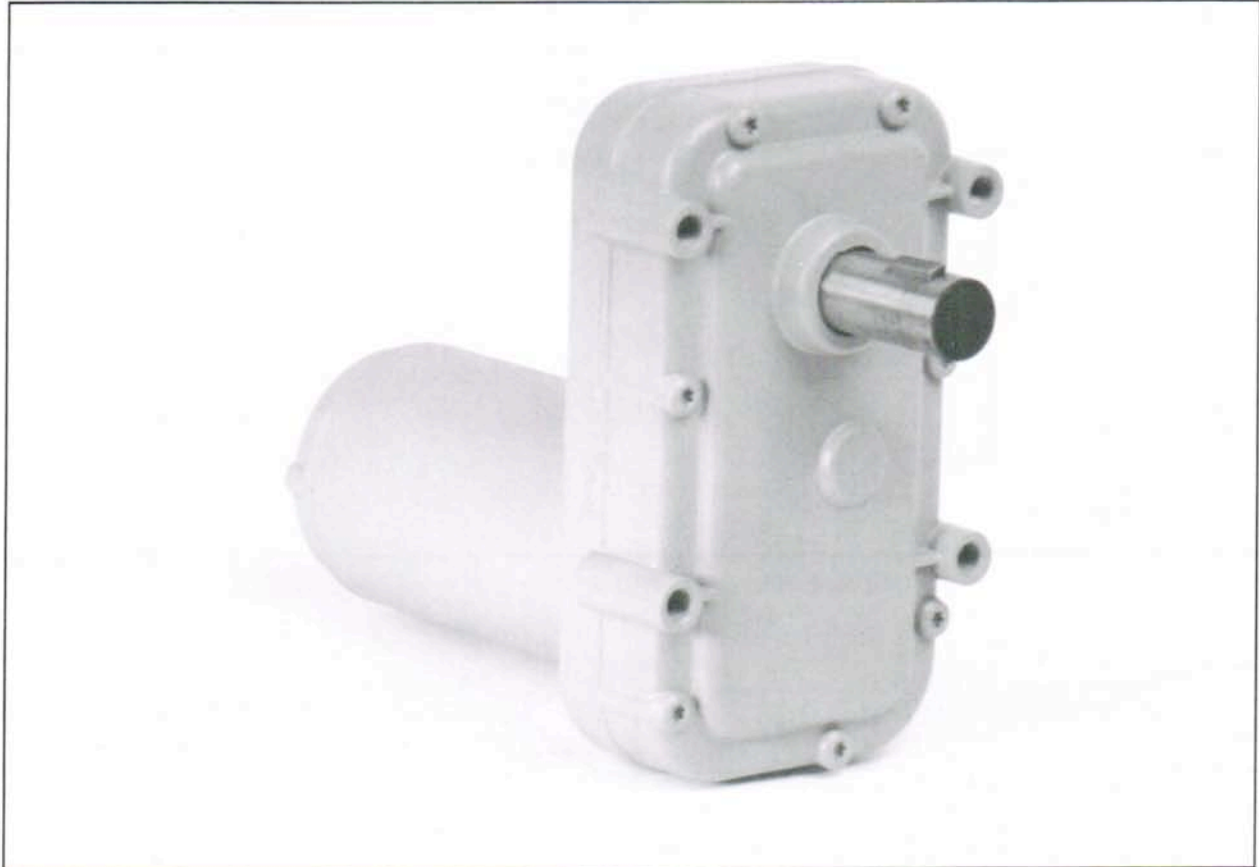


# KMG

## Model K300 Gearmotor 2.5 & 3.3 PMDC MOTORS



### Specifications:

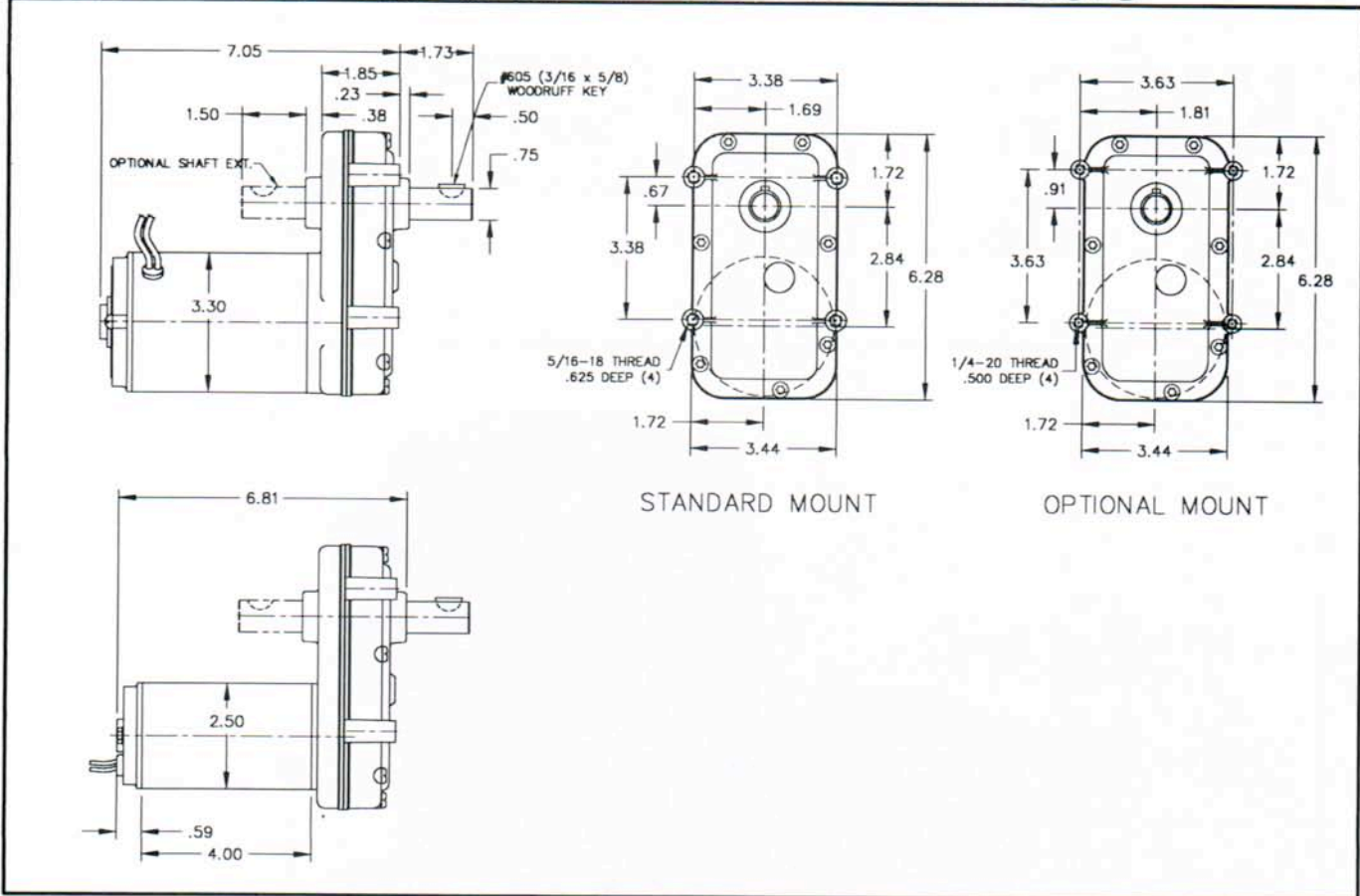
- Permanent magnet motor
- 12 VDC & 90 VDC
- Continuous & intermittent duty
- Reversible
- Zinc diecast housing
- Nine standard ratios
- Acetyl and steel precision gears
- Oil impregnated bronze bearings on gear shafts
- O-Ring seal on output shaft
- Permanently lubricated
- All position mount

### Options:

- Needle bearings
- Brake mounted on motor
- Double extended output shafts
- For other options call factory

Note: Painted finish is not standard.

# Model K300 2.5 & 3.3 TENV PMDC Motors



Torque Chart (inch lbs)						
2.5" DIA PERMANENT MAGNET MOTOR						
RATIO	1/30 HP CON		1/15 HP INT		1/15 HP CON	
	FULL LOAD RPM	FULL LOAD TORQUE	FULL LOAD RPM	FULL LOAD TORQUE	FULL LOAD RPM	FULL LOAD TORQUE
49:1	67	25	59	51	67	51
121:1	27	57	24	113	27	113
163:1	20	76	18	153	20	153
296:1	11	122	10	244	11	244
415:1	8	171	7	342	8	342
765:1	4	296	4	593	4	593
1084:1	3	420	3	600	3	600

(Output Torque is Theoretically Calculated and Gear limited)

Torque Chart (inch lbs)		
3.3" DIA PERMANENT MAGNET MOTOR		
RATIO	1/8 HP CON	
	FULL LOAD RPM	FULL LOAD TORQUE
43:1	52	125
103:1	22	270
139:1	16	365
250:1	9	600
351:1	6	600
637:1	3	600
903:1	2	600

(Output Torque is Theoretically Calculated and Gear Limited)

Overhung load capacity (.75" from output boss) not to exceed 300 lbs.



**KLAUBER MACHINE & GEAR CO.**  
 1101 GEARTECH PARKWAY  
 PACIFIC, MO 63069  
 PHONE (636) 257-3002 FAX (636) 257-3005